

THE
WARM

HEART OF YOUR HOME



QUALITY

FOR A PRODUCT OF EXCELLENCE

Simge soba, 1957 yılında katı yakıtlı, kuzine ve şömine tarzında sobalar üretmek üzere kurulmuştur. Yine şirketimiz bünyesinde bulunan Hümetal Kalıp Sanayii de, 1995 yılında şirketimizin kalıp ihtiyaçlarını karşılamak için kurulmuş olup otomotiv ve farklı sektörlerde kalıp imalatı yapmaktadır.

2005 yılından sonra firmamız doğalgaz sektöründeki eksikleri görerek, katı yakıtlı sobaların yanı sıra doğalgaz sobası imalatına da başlamıştır. Aradan geçen yıllarda kaliteyi ve müşteri memnuniyetini ön planda tutarak şuan bulunduğu marka değerine ulaşmıştır.

Şirket politikamız, soba imalatı sektörünün ihtiyaçları doğrultusunda ve yeniliklere ayak uydurarak kalitemizi ve marka değerimizi devamlı olarak üst sıralarda tutmaktır. Ürettiğimiz ürünler avrupa normlarında ce belgeli ve tse standartlarına uygun üretilmektedir. Kullandığımız malzemelerin kalitesi yaygın servis ağıımız ve satış sonrası hizmet politikamızlada adımızdan söz ettirmektedir. Ürettiğimiz ürünleri sadece iç pazarda değil dünyanın birçok ülkesinde ihraç ederek ülke ekonomisinde katkı sağlamaktayız.

Genç, dinamik ve deneyimli çalışanlarımızla beraber şirketimizi soba sektöründe her daim üst sıralarda adından söz ettiren lider bir firma olarak görmek için elimizden gelenin en iyisini yapmakta kararlıyız.

Simge Stoves was established in 1957 as to produce solid fuel and fireplace stoves. Hümetal Mold Industry which is part of Simge Stove , was established in 1995 to provide high quality molds for Simge Stove products. The company started to produce natural gas stoves as well as solid fuel stoves in 2005 as Gilan Natural Gas Stoves. Since then The company manufactures solid fuel stoves,cast iron stoves,natural gas stoves and fireplaces.

All products are made in Simge Stove's own facility. Simge Stove is a well-established brand leader in the Turkish market through working with dealers and service points to achieve outstanding customer satisfaction. The company also sells its products in other countries in Asia and Europe. Through a commitment to quality, on-time delivery, competitive pricing and after-sales service, the company is rapidly expanding its market presence in other countries with its own brand and as an OEM supplier.

All products are manufactured in accordance with European TSE standards with CE certified. The Company's trademark is healthy growth and long-term success with the goal of being have satisfied customers.





**GOOD FOOD,
A WARM HEARTH,
AND ALL THE
COMFORTS OF HOME**





PERFECT HARMONY
OF BEAUTY AND FUNCTIONALITY

701-G OMEGA

Wood Burning Cooker

Odun Yakmalı Kuzine

CHARACTERISTICS

ÜRÜN ÖZELLİKLERİ



ECODESIGN

TECHNICAL DATA

Nominal power
9,0 kW-N

Efficiency
80 %

Dimensions (LxDxH)
870 x 510 x 790 mm

Smoke outlet diameter (Ø)
130 mm R/U

Oven size (LxDxH)
450 x 455 x 175 mm

Net weight
82 kg



STANDART EQUIPMENT

STANDART OPSİYONLAR



COLOUR CHOICES

RENK SEÇENEKLERİ



701 OMEGA

THE HEAT
YOU ARE LOOKING FOR



ALL THE WARMTH
OF YOUR KITCHEN

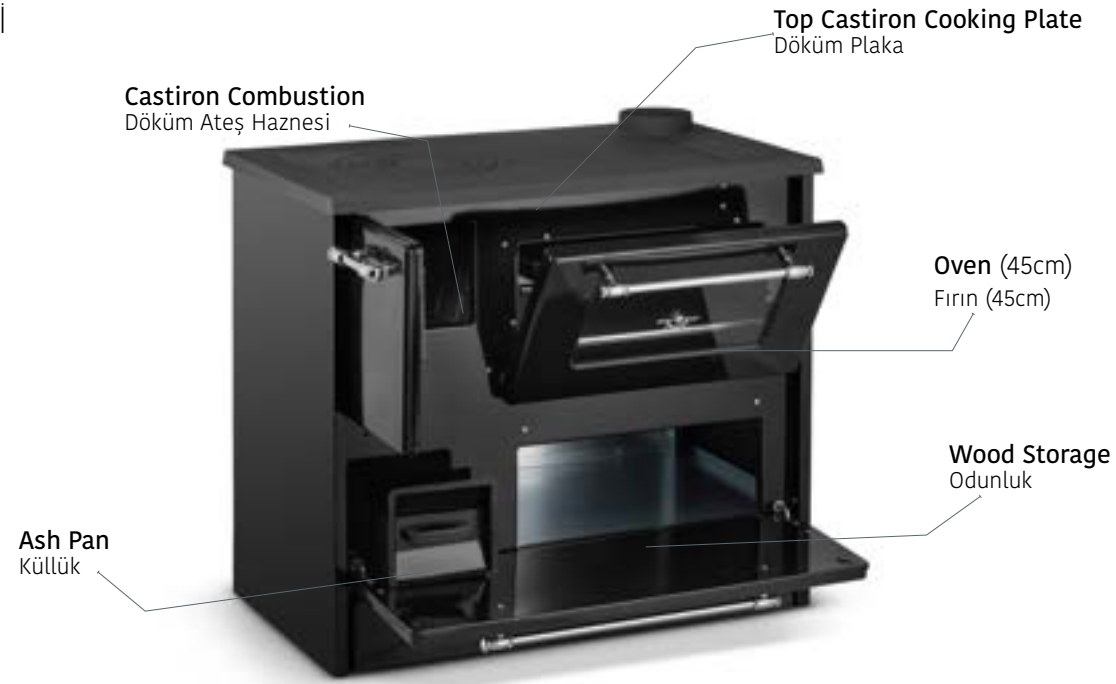
701 OMEGA

Wood Burning Cooker

Odun Yakmalı Kuzine

CHARACTERISTICS

ÜRÜN ÖZELLİKLERİ



ECODESIGN

TECHNICAL DATA

Nominal power
9,0 kW-N

Efficiency
80 %

Dimensions (LxDxH)
870 x 510 x 790 mm

Smoke outlet diameter (Ø)
130 mm R/U

Oven size (LxDxH)
450 x 455 x 175 mm

Net weight
82 kg



STANDART EQUIPMENT

STANDART OPSİYONLAR



COLOUR CHOICES

RENK SEÇENEKLERİ





WE HAVE BEEN KEEPING YOUR
HOME **WARM** FOR OVER
60 YEARS

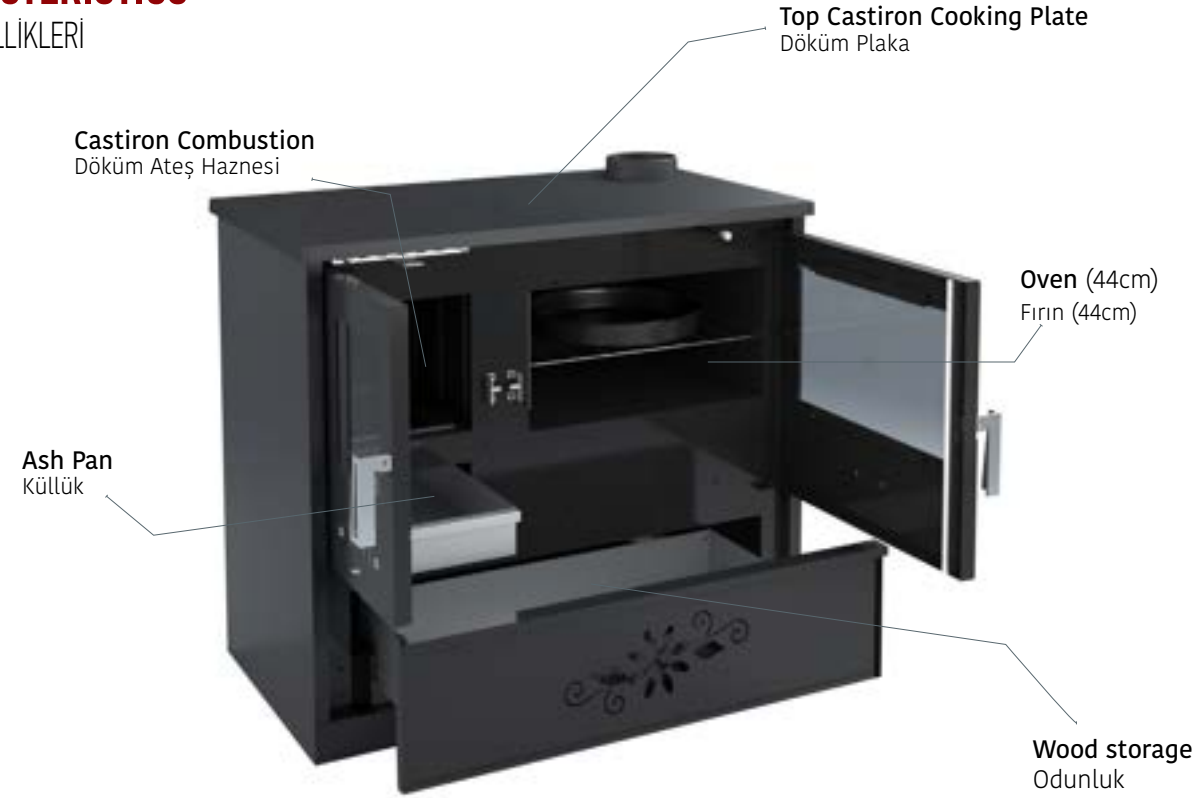
7040 URUS

Wood Burning Cooker

Odun Yakmalı Kuzine

CHARACTERISTICS

ÜRÜN ÖZELLİKLERİ



ECODESIGN

TECHNICAL DATA

Nominal power
9,0 kW-N

Efficiency
80 %

Dimensions (LxDxH)
875 x 510 x 810 mm

Smoke outlet diameter (Ø)
130 mm R/U

Oven size (LxDxH)
440 x 450 x 230 mm

Net weight
82 kg



STANDART EQUIPMENT

STANDART OPSİYONLAR



COLOUR CHOICES

RENK SEÇENEKLERİ





THE POWER OF FIRE
SHAPED BY PASSION AND
TECHNOLOGY



801 STELLA

Wood Burning Cooker

Odun Yakmalı Kuzine

CHARACTERISTICS

ÜRÜN ÖZELLİKLERİ



ECODESIGN

TECHNICAL DATA

Nominal power
9,0 kW-N

Efficiency
76 %

Dimensions (LxDxH)
910 x 525 x 770 mm

Smoke outlet diameter (Ø)
130 mm R/U

Oven size (LxDxH)
390 x 450 x 230 mm

Net weight
105 kg



STANDART EQUIPMENT

STANDART OPSİYONLAR



COLOUR CHOICES

RENK SEÇENEKLERİ



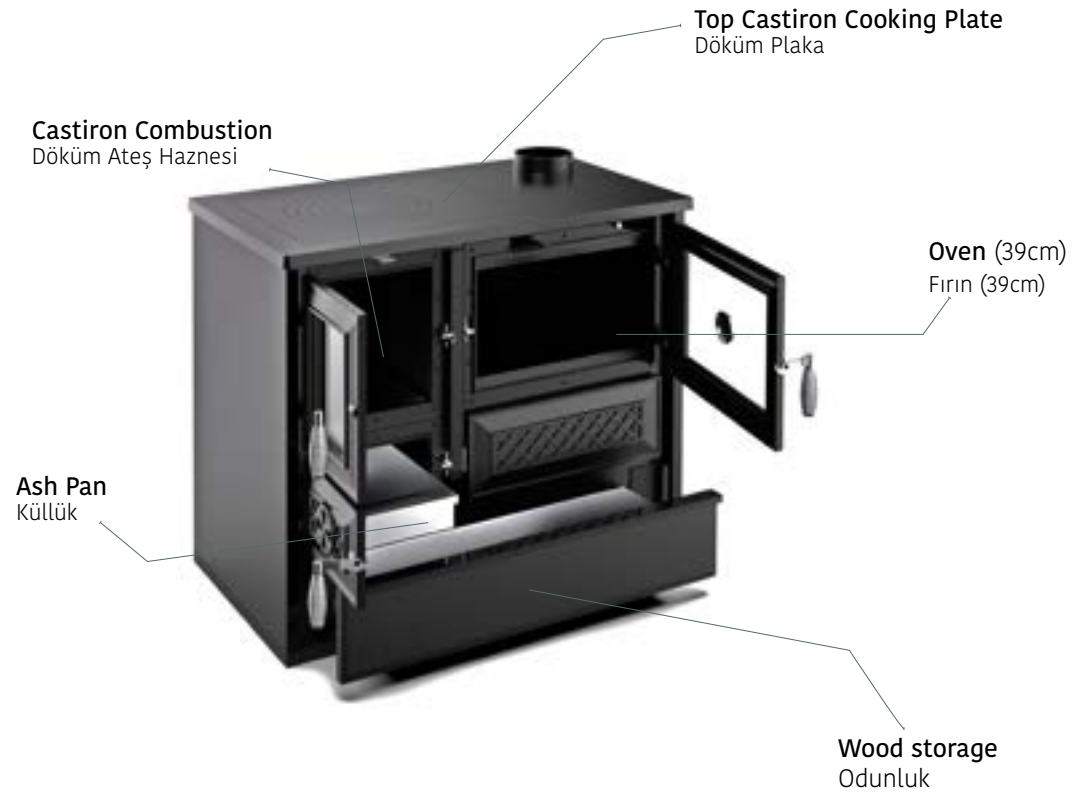
802 BELLA

Wood Burning Cooker

Odun Yakmalı Kuzine

CHARACTERISTICS

ÜRÜN ÖZELLİKLERİ



ECODESIGN

TECHNICAL DATA

Nominal power
9,0 kW-N

Efficiency
76 %

Dimensions (LxDxH)
870 x 510 x 810 mm

Smoke outlet diameter (Ø)
130 mm R/U

Oven size (LxDxH)
390 x 450 x 230 mm

Net weight
120 kg



STANDART EQUIPMENT

STANDART OPSİYONLAR



COLOUR CHOICES

RENK SEÇENEKLERİ



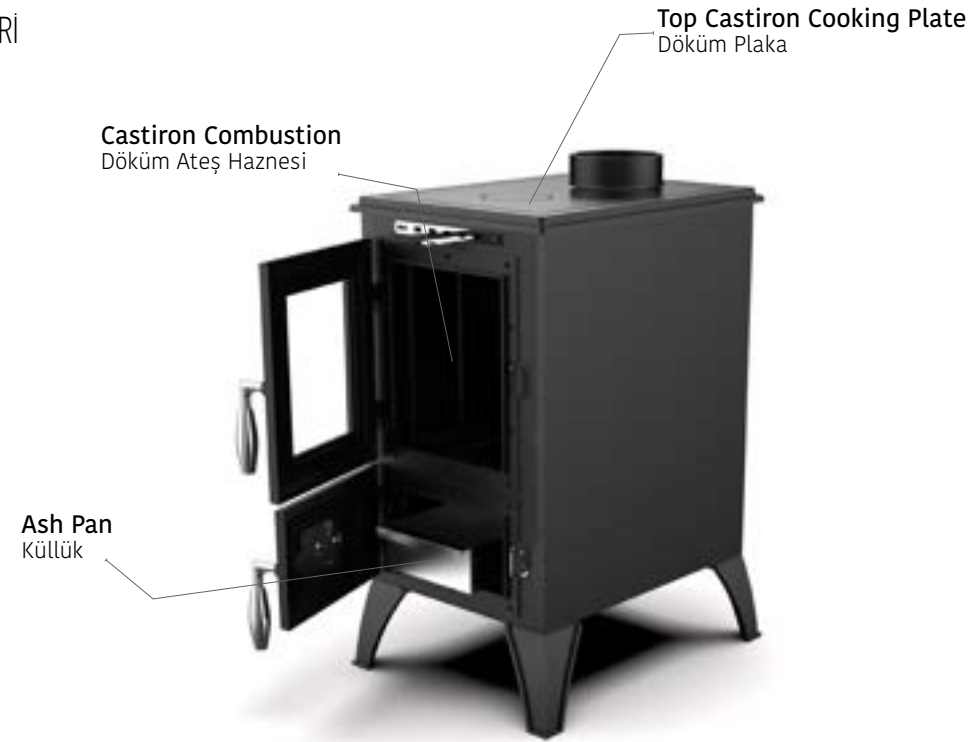
806 IGLO

Wood Burning Stove

Odun Yakmalı Soba

CHARACTERISTICS

ÜRÜN ÖZELLİKLERİ



ECODESIGN

TECHNICAL DATA

Nominal power

10,00 kW-N

Efficiency

80 %

Dimensions (LxDxH)

420 x 540 x 795 mm

Smoke outlet diameter (Ø)

130 mm R/U

Oven size (LxDxH)

Net weight

60 kg



COLOUR CHOICES

RENK SEÇENEKLERİ

901 PISA

ELEGANCE
AND WARMTH IN ONE



INNOVATION
AND **PASSION**

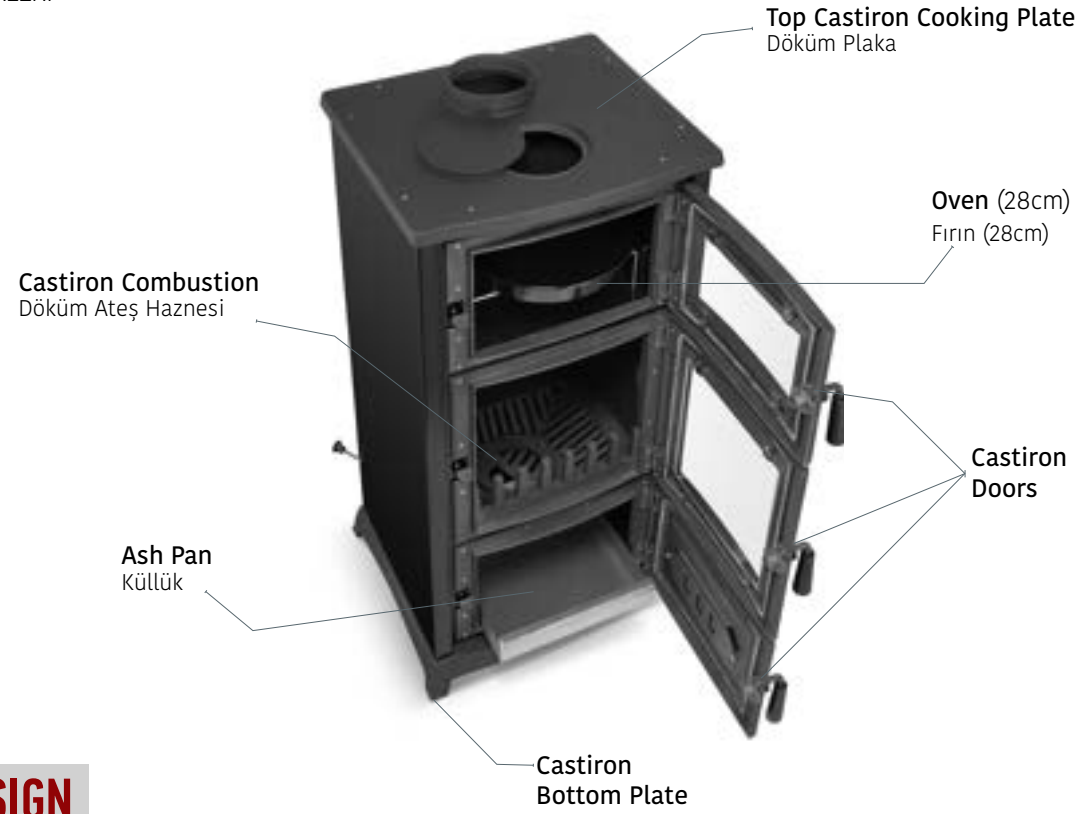
901 PISA

Fireplace Stove With Oven

Fırınlı Şömine

CHARACTERISTICS

ÜRÜN ÖZELLİKLERİ



ECODESIGN

TECHNICAL DATA

Nominal power
6,22 kW-N

Efficiency
75 %

Dimensions (LxDxH)
470 x 400 x 1000 mm

Smoke outlet diameter (Ø)
130 mm R/U

Oven size (LxDxH)
280 x 325 x 185 mm

Net weight
79 kg



STANDART EQUIPMENT

STANDART OPSİYONLAR



COLOUR CHOICES

RENK SEÇENEKLERİ



902 GINE

QUALITY
AND DESIGN IN ONE



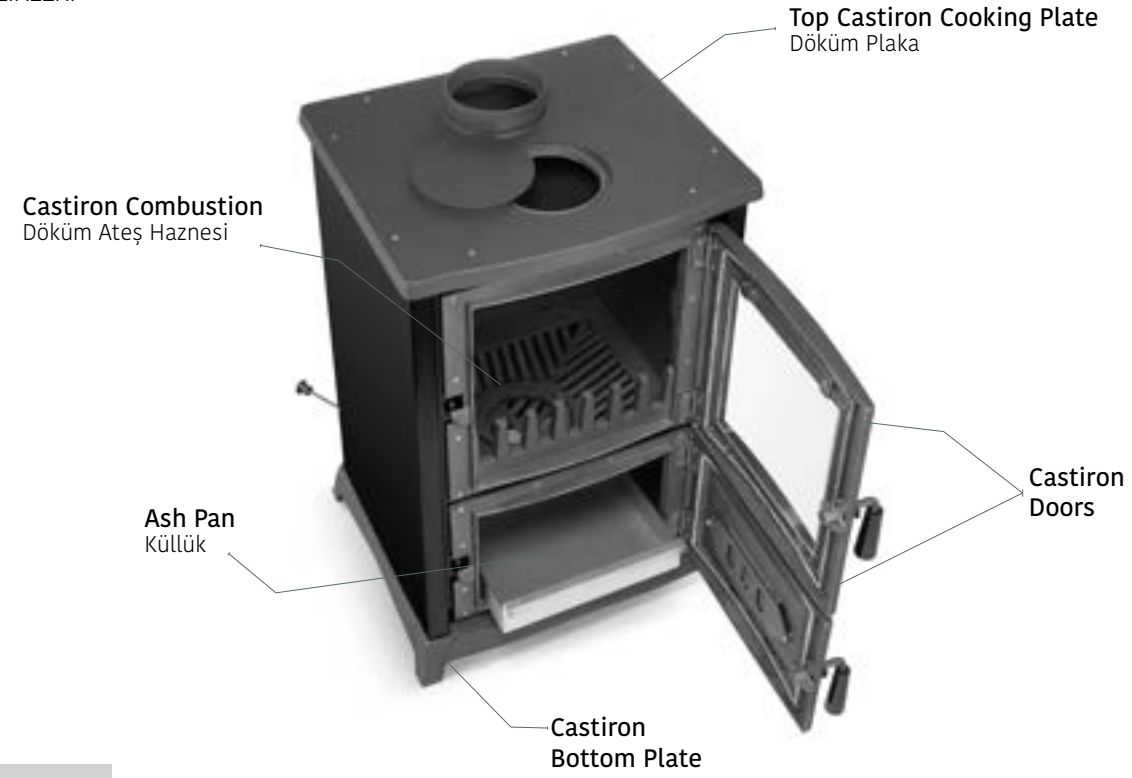
902 GINE

Fireplace Stove

Şömine Soba

CHARACTERISTICS

ÜRÜN ÖZELLİKLERİ



ECODESIGN

TECHNICAL DATA

Nominal power
6,50 kW-N

Efficiency
75 %

Dimensions (LxDxH)
470 x 400 x 760 mm

Smoke outlet diameter (Ø)
130 mm R/U

Oven size (LxDxH)
-

Net weight
72 kg



COLOUR CHOICES

RENK SEÇENEKLERİ



501

Wood Burning Cooker

Odun Yakmalı Kuzine

CHARACTERISTICS

ÜRÜN ÖZELLİKLERİ



ECODESIGN

TECHNICAL DATA

Nominal power
9,0 kW-N

Efficiency
77 %

Dimensions (LxDxH)
825 x 500 x 625 mm

Smoke outlet diameter (Ø)
130 mm R/U

Oven size (LxDxH)
380 x 380 x 175 mm

Net weight
58 kg



STANDART EQUIPMENT

STANDART OPSİYONLAR



COLOUR CHOICES

RENK SEÇENEKLERİ



501-XL

OVEN (LxDxH) : 450x455x175mm
DIMENSION (LxDxH) : 900 x 560 x 625mm
WEIGHT : 64 kg



501

OVEN (LxDxH) : 380x380x175mm
DIMENSION (LxDxH) : 825 x 500 x 625mm
WEIGHT : 58 kg

502

Wood Burning Cooker

Odun Yakmalı Kuzine

CHARACTERISTICS

ÜRÜN ÖZELLİKLERİ



TECHNICAL DATA

Nominal power
9,0 kW-N

Efficiency
77 %

Dimensions (LxDxH)
825 x 500 x 625 mm

Smoke outlet diameter (Ø)
130 mm R/U

Oven size (LxDxH)
380 x 380 x 175 mm

Net weight
45 kg



STANDART EQUIPMENT

STANDART OPSİYONLAR

COLOUR CHOICES

RENK SEÇENEKLERİ



502-XL

OVEN(LxDxH) 450x455x175mm
DIMENSION (LxDxH) 900 x 560 x 625mm
WEIGHT : 52 kg



502

OVEN(LxDxH) : 380x380x175mm
DIMENSION (LxDxH) : 825 x 500 x 625mm
WEIGHT : 45 kg



304-U

Wood Burning Cooker

Odun Yakmalı Kuzine

CHARACTERISTICS

ÜRÜN ÖZELLİKLERİ



COLOUR CHOICES

RENK SEÇENEKLERİ



ECODESIGN

TECHNICAL DATA

Nominal power
9,0 kW-N

Efficiency
77 %

Dimensions (LxDxH)
825 x 460 x 825 mm

Smoke outlet diameter (Ø)
130 mm R/U

Oven size (LxDxH)
400 x 400 x 195 mm

Net weight
47 kg



ECODESIGN

TECHNICAL DATA

Nominal power
9,0 kW-N

Efficiency
77 %

Dimensions (LxDxH)
825 x 460 x 625 mm

Smoke outlet diameter (Ø)
130 mm R/U

Oven size (LxDxH)
400 x 400 x 195 mm

Net weight
47 kg

304

Wood Burning Cooker

Odun Yakmalı Kuzine

CHARACTERISTICS

ÜRÜN ÖZELLİKLERİ

COLOUR CHOICES

RENK SEÇENEKLERİ



304-XL

OVEN (LxDxH) 475x475x190mm

DIMENSION (LxDxH) 900 x 520 x 625mm

WEIGHT : 56 kg



304

OVEN (LxDxH) : 400x400x195mm

DIMENSION (LxDxH) : 825 x 460 x 625mm

WEIGHT : 47 kg

201

Wood Burning Cooker

Odun Yakmalı Kuzine

CHARACTERISTICS

ÜRÜN ÖZELLİKLERİ



201-XL

OVEN(LxDxH) 450x455x175mm
DIMENSION (LxDxH) 900 x 560 x 625mm
WEIGHT : 50 kg



201

OVEN(LxDxH) 400x400x195mm
DIMENSION (LxDxH) 825 x 460 x 625mm
WEIGHT : 42 kg

TECHNICAL DATA

Nominal power
9,0 kW-N

Efficiency
77 %

Dimensions (LxDxH)
825 x 460 x 625 mm

Smoke outlet diameter (Ø)
130 mm R/U

Oven size (LxDxH)
400 x 400 x 195 mm

Net weight
42 kg



ECODESIGN

TECHNICAL DATA

Nominal power
9,0 kW-N

Efficiency
77 %

Dimensions (LxDxH)
825 x 460 x 625 mm

Smoke outlet diameter (Ø)
130 mm R/U

Oven size (LxDxH)
400 x 400 x 195 mm

Net weight
57 kg

301

Wood Burning Cooker

Odun Yakmalı Kuzine

CHARACTERISTICS

ÜRÜN ÖZELLİKLERİ

COLOUR CHOICES

RENK SEÇENEKLERİ



301-XL

OVEN(LxDxH) 475x475x175mm
DIMENSION (LxDxH) 900 x 520 x 625mm
WEIGHT : 62 kg



301

OVEN(LxDxH) : 400x400x195mm
DIMENSION (LxDxH) : 825 x 460 x 625mm
WEIGHT : 57 kg

109

Bucket Type Stove

Halktipi Soba

CHARACTERISTICS

ÜRÜN ÖZELLİKLERİ

TECHNICAL DATA

Nominal power
9,0 kW-N

Efficiency
53 %

Dimensions (LxDxH)
610 x 440 x 675 mm

Smoke outlet diameter (Ø)
130 mm R/U

Oven size (LxDxH)
-

Net weight
30 kg



112

110

108

111

107

1453

TECHNICAL DATA

Nominal power
9,0 kW-N

Efficiency
77 %

Dimensions (LxDxH)
850 x 450 x 560 mm

Smoke outlet diameter (Ø)
130 mm R/U

Oven size (LxDxH)
450 x 450 x 185 mm

Net weight
55 kg



STANDART EQUIPMENT

STANDART OPSİYONLAR



CERTIFICATES



Only for Italy: the Ministerial Decree 28/12/12, better known as "Conto Termino", allows a specific incentive in case of replacement of old appliances by new ones with certain characteristics



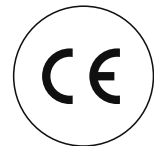
Italian Regulation for the Environmental Certificate release of domestic solid fuels biomass room heaters (Classification from 1 up to 5 stars).



German regulations on controlling emissions.

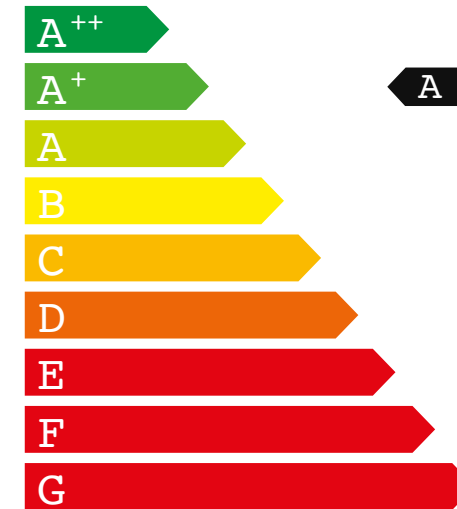


European certification defining the ecodesign guidelines for biomass products.



CE marking indicates that a product has been assessed by the manufacturer and deemed to meet EU safety, health and environmental protection requirements.

ENERGY LABEL



As of 1st January 2018 the Energy Labelling Regulation came into force also for all the biomass heating appliances, both roomheater appliances and appliances designed to heat the water for central heating and domestic hot water.

This directive, in accordance with the regulations of the European Union, will assign an Energy Efficiency Class (from G up to A++) providing the buyers with information about the consumption and the efficiency

NOTE

- Due to printing reasons the reproduction of colours has to be considered only indicative.
- The fuel quantity (weight) inside the hopper and the hour consumption can change depending on the type of wood which is used.
- All the figures were measured using approved woods in compliance with EN 12815:2006
- Facing tones and characteristics are subject to slight variations because they are natural products.
- The manufacturer reserves the right to change the products without any previous notice.
- The **Simge Soba** products can be covered by industrial property rights (such as patents, designs and trademarks) owned by **Simge Soba** exclusively. It is strictly forbidden to violate these rights as for removing, cancelling or corrupting the trademarks impressed on the products and impressing others.
- m³ that can be heated: the data is indicative. For the generator to be sized correctly, contact a skilled technician/ designer.
- Before the purchase, ask your reseller all the information regarding the appliance. One must also bear in mind all laws and national, regional, provincial and town council Standards present in the country in which the appliance has been installed, as well as the instructions contained in this manual.
- The images contained in this document are for product illustration purposes only and do not represent indications for the performance or technical characteristics of the same.
- The data in the catalogue can be rounded off to the first decimal.

“ALL THE **WARMTH** YOU ARE
LOOKING FOR”





VEYSEL KARANİ MAHALLESİ 6. EGE SOKAK
NO.13/15 16000 BURSA / TÜRKİYE

T. 0224 215 84 77

info@simgesoba.com
www.simgesoba.com

